



FAX BACK TO 01707 394900
for the attention of

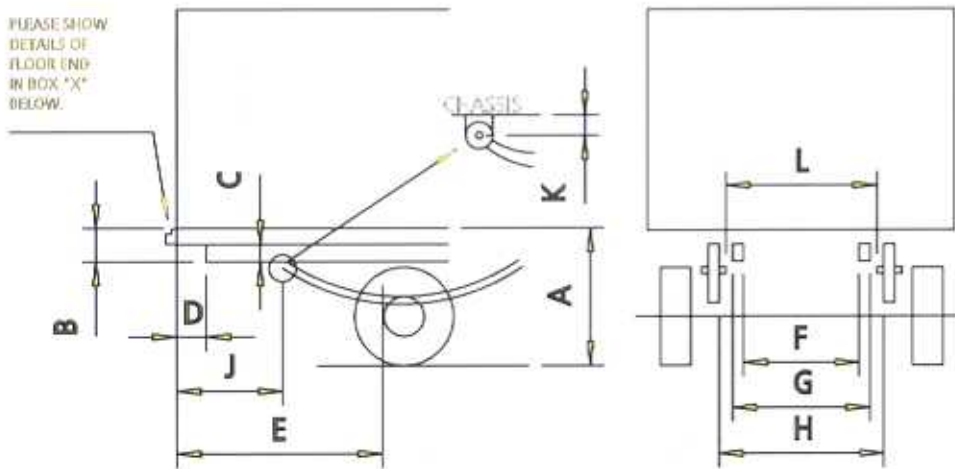
DATA COLLECTION SHEET FOR UNDERFLOOR LIFTS

Customer Customer email
 Customer order number Data provided by
 Customer telephone Signed.....
 Customer fax Date

LIFT TYPE **Vehicle Details** *circle as appropriate
CAPACITY Make/Model.....
 Wheelbase (mm).....
 *Air/spring suspension
 12v/24v *single/double pole

Other relevant information:

PLEASE SHOW
DETAILS OF
FLOOR END
IN BOX "X"
BELOW.



A Floor heightmm	G Width to outside of chassis membersmm	Does the vehicle have bumpers?
B Floor to lower face of chassismm	H Width between springsmm	
C Depth of chassismm	J Distance to spring hangers/bolt centresmm	Where does the vehicle exhaust exit?
D Chassis end to floor endmm	K Distance of bolt from chassismm	
E Maximum unobstructed overhangmm	L Width between bolts on spring hangermm	Where is the fuel tank?
F Width between chassis membersmm	